



INSTALLATION ADDENDUM FOR 12AIRTGSQ/14AIRTGSQ TERMINATION



Listing No. MH8251
Tested to UL 103/ULC-S604

IMPORTANT: NFPA 211, "Standard for Chimneys Fireplaces, Vents and Solid Fuel-Burning Appliances", states that chimneys shall extend at least three feet above the highest point where it passes through the roof of a building, and at least two feet higher than any portion of a building within ten feet. See **FIG. 1**.

Prepare the chase top cover by cutting and forming a 19.50" diameter hole with a .25"-.50" lip centered over the chimney where it exits the chase. The chimney must be 8.75" to 11.00" below the top of the chase top cover. The collar of the 12AIRTGSQ/14AIRTGSQ will adjust 2.25". See **FIG. 2**.

To attach the termination to the chase, line up the knockout of the adjustable termination collar and the buttons of the chimney and push together to lock. Attach the chase top cover to the chase using screws or nails. Attach the 12AIRTGSQ/14AIRTGSQ to the adjustable collar by inserting the termination flue and casing through the hole of the chase top cover aligning it over the collar and sliding together. Secure the 12AIRTGSQ/14AIRTGSQ termination to the chase top cover with sheet metal screws in 12 places at the holes provided in the termination outer cover. Seal screws with sealant (by others) after assembly. See **FIG. 3**.

The 12AIRTGSQ/14AIRTGSQ termination has a removable cover for cleaning. The chimney should be inspected at least once every two months during the heating season to determine if creosote or soot buildup has occurred. If creosote or soot has accumulated, it should be removed to reduce the risk of chimney fire. See installation and maintenance instructions L2922.

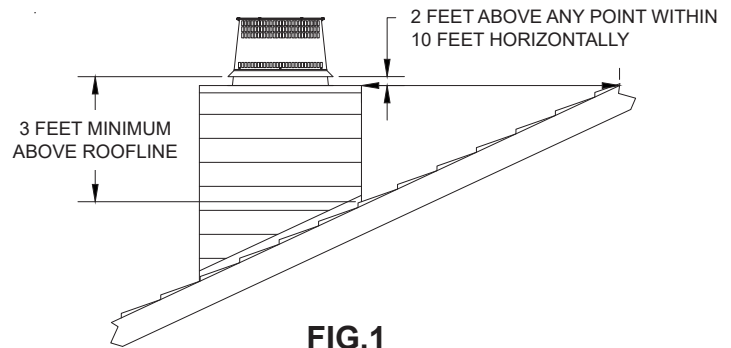


FIG.1

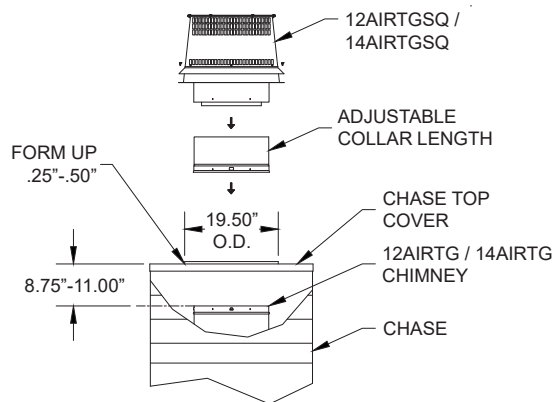


FIG.2

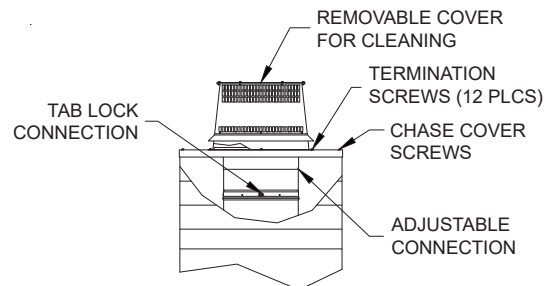


FIG.3

