

# TYPE-B GAS VENT

[ B-VENT PIPE & FITTINGS ]



**METAL-FAB** INC.  
METAL-FAB INC.





## **Faster. Safer. Better.**

Metal-Fab provides complete and comprehensive venting solutions to the HVAC, hearth and plumbing markets. Founded in 1959, on the premise that better products and services would be the key to our success.

Metal-Fab continues to operate today as a privately held entity with the same core values that lead to success while creating steady, stable growth over the past six decades.

Customer needs are the highest priority at Metal-Fab, and that is why every customer receives a unique experience while choosing from a full line of high-quality venting products for residential, commercial and industrial applications.

Cutting-edge manufacturing systems, innovative designs, patented products, unmatched product quality, and a focus on detail has resulted in a leadership position within the industries Metal-Fab serves. Our constant product improvement process and experience in developing and engineering products for safe, efficient appliance operation sets Metal-Fab apart from the competition.

Our superior customer service, 1-2 day shipping, and 100% order fill make Metal-Fab the choice for all your venting requirements.

## **That's The Metal-Fab Way... Experience The Difference**

### **SAFETY**



**Product Quality**  
Engineered for safety & efficiency.



**Installation Safety**  
Hemmed flue & casing.



**UL Product Certification**  
Products tested and listed to UL441 requirements to ensure safety and efficiency.



**SureLock™ Locking System**  
No sheet metal screws required.

### **EASE**



**Zero Height Increaser**  
No-height increaser design, no additional space required.



**Positive Twist-Lock Connection**  
UL listed to adapt to identified competing B-Vent brands.



**Swivel Tees & Wyes**  
360° rotating male connection for easy installation.



**Easily Adjustable 45/60 Elbows**  
360° rotating collar, 4-piece design - saves cost of 90° elbow.

# Convenience



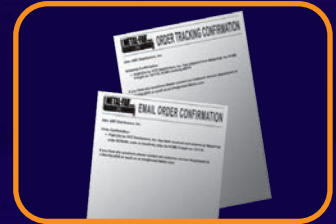
## One-Stop Vent Shopping

Complete lines of HVAC, Hearth & Plumbing products and accessories.



1-2 Day Shipping

Email Order Confirmation & Tracking



Regional Warehouse Locations

100% Order Fill



# Customer Service & Support



World-class customer service, responsive to your needs.



Friendly representatives to assist with design, project layout, job quotes and submittals.



Innovative and talented marketing staff to assist in marketing Metal-Fab products.



Qualified factory technical support department.

# Products You Can Trust!

Manufacturing Superior Quality Venting Products For Over 60 Years!



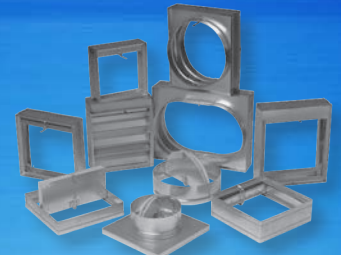
Temp/Guard®



Premium Biomass



SuperFlex™ Stainless Steel Liners



Fire & Ceiling Radiation Dampers



Direct Vent



Black Stovepipe



Corr/Guard®



Grilles, Registers & Diffusers

Complete lines of HVAC, Hearth & Plumbing products to meet your needs for any installation.





## ***UL Listed B-Vent Adaptability*** \_\_\_\_\_

***Have you ever been in the field and don't have the brand of B-Vent you need?***

Metal-Fab understands and that is why we have come up with a solution to save you time and money. Existing B-Vent installations frequently require repair, replacement and maintenance as we all know. What should you do if the existing product make and model cannot be identified with certainty? Let Metal-Fab solve your problems. Our B-Vent 3" through 6" is UL listed to adapt to any competitor's UL listed B-Vent products. Metal-Fab's universal adaptability with identified competing brands provides a competitive advantage in the field and you the installer only need one brand of B-Vent.

### **Installing Replacement Equipment (3"-6")**

Mating two different brands of B-Vent does not have to cost you time and money. Metal-Fab B-Vent provides a solution in two easy steps. Simply, insert the male end (outlet) of the competitive B-Vent brand into the female end (inlet) of the Metal-Fab adapter, then tighten the adapter clamp.

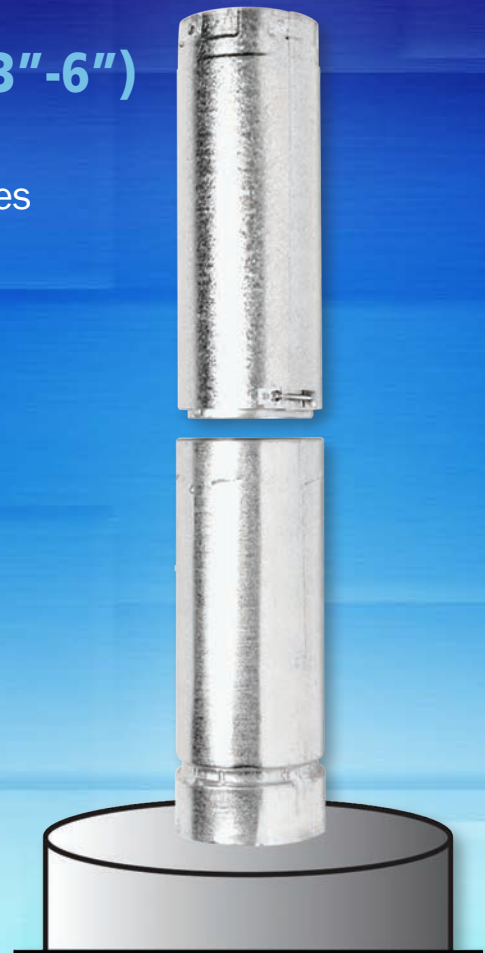


#### **Male Adapter**

(Part # - M6A, M12A, M18A)



LISTED MH7860





## Depleting Competitive Inventory

Metal-Fab is the only B-Vent manufacturer with UL approval to connect the male end into the female end of all competitive UL listed B-Vent brands, increasing product versatility. Did you know that by simply connecting using three (3) quarter inch sheet metal screws to secure creates a UL listed connection?

Metal-Fab round B-Vent has been evaluated and listed to Underwriters Laboratories to mate with other specifically identified UL listed round gas vent in 3" through 6" diameters. Metal-Fab's approval includes but is not limited to the following B-Vent products:

- American Metal Products Co. (Amerivent)
- Continental Industries, Inc. (AirJet)
- ECCO Manufacturing (Model E/R)
- Hart & Cooley, Inc. (Hart & Cooley B-Vent)
- M&G Duravent Inc. (Type B Gas Vent)
- Mitchell Metal Products, Inc. (Mitch Vent)
- Selkirk Corporation (Energy Vent)

**No Adapter Required**



LISTED MH7860



(Part # - M6AF)

## Female Adapter

For those installing specialists and building authorities who may prefer the use of a female adapter in contrast to connecting using sheet metal screws. The female adapter is adjusted and the adapter clamp is tightened to the competitive brand of B-Vent.





# B-Flex™

*Metal-Fab's double wall B-Flex™ can be used as a connector or as a segment of B-Vent in a variety of installations.*

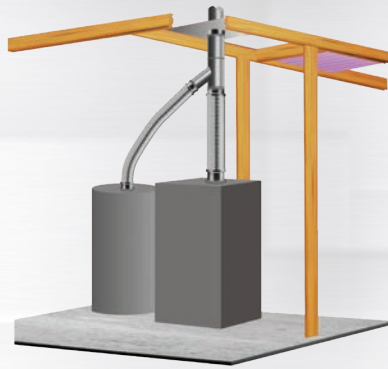


**Flexible double wall for easy B-Vent pipe fitting.**

## Applications

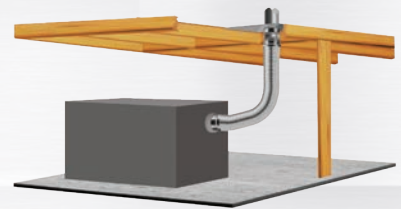
Use B-Flex™ anywhere B-Vent is required, except where pipe penetrates the structure walls, floors, ceilings or roof.

### USED AS A CONNECTOR



Make a direct connection from one or both appliances to a common B-Vent.

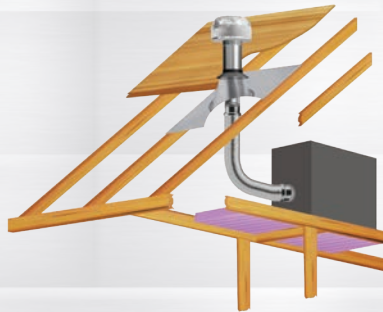
### USED IN A CRAWL SPACE



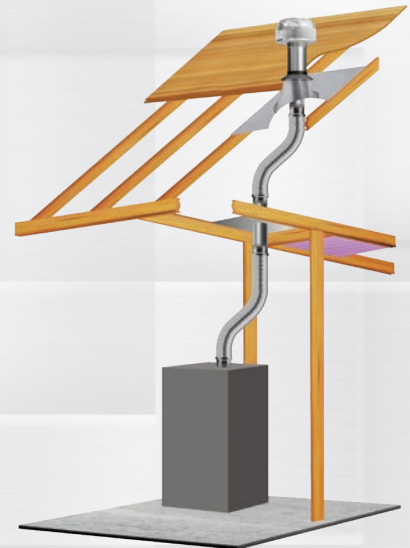
Easily connect a furnace located in a crawl space to a rigid B-Vent penetration.

### USED THROUGH AN ATTIC

#### USED IN ATTIC



Make a quick connection from an attic furnace to a rigid B-Vent penetration.



Connect a furnace to a termination on a conventional installation with ease.



**Faster. Safer. Better.**



# Double Wall Versatility, Flexible Advantages.

## Quick & Easy

B-Flex™ eliminates measuring, special adapters and assembly of rigid pipe lengths.

## Cost Savings

Saves time and labor, a universal solution to connecting appliances to rigid B-Vent.

## Convenience

Ready to install right out of the box with factory-assembled male and female positive twist-lock ends.

## Adaptability

Can be used with other specifically identified competing brands of UL listed round gas vent 3" through 6" diameters.



UL listed for use as connection from the appliance to rigid Type-B gas vent, and as a segment of B-Vent.

Metal-Fab's approval includes connections at both the male (outlet) and female (inlet) end to the following B-Vent products but is not limited to:

American Metal Products Co.	(Amerivent)
Continental Industries, Inc.	(AirJet)
ECCO Manufacturing	(Model E/R)
Hart & Cooley, Inc.	(Hart & Cooley B-Vent)
M&G Duravent, Inc.	(Type B Gas Vent)
Mitchell Metal Products, Inc.	(Mitch Vent)
Selkirk Corporation	(Energy Vent)

At the male (outlet) end of the compatible gas vent, add an adapter or adjustable length (M6A, M12A, M18A) – then add sections of Metal-Fab B-Vent pipe. At the female (inlet) end of the compatible gas vent, simply insert the male end of the Metal-Fab B-Vent into the compatible gas vent and secure per installation instructions.



# SureGrip Vent Support Plate

The fastest, easiest way to support B-Vent where it penetrates floors and ceilings.  
....Just a few minutes and you're finished!



Cut the hole.



Mount SureGrip support plate.



Push pipe through vent support.



Continue adding pipe sections  
- supports up to 90 lbs.



## Standard SureGrip

### Typical two-story installation

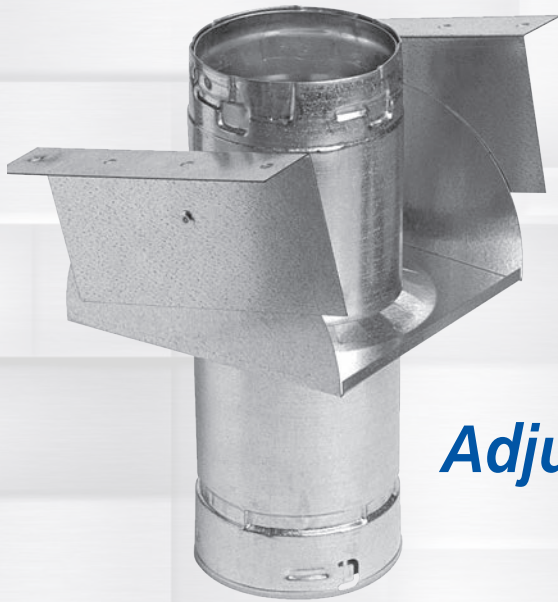


Available for 3"  
through 8"  
diameter B-Vent.



# Adjustable SureGrip Vent Support Plate

*Holds pipe in a secure position as it penetrates through the roof.  
....Can't be accidentally pushed down through the roof!*

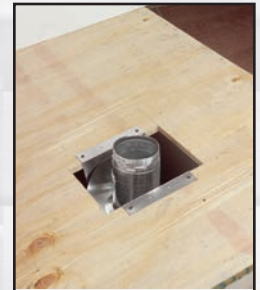


*Cut the hole.*



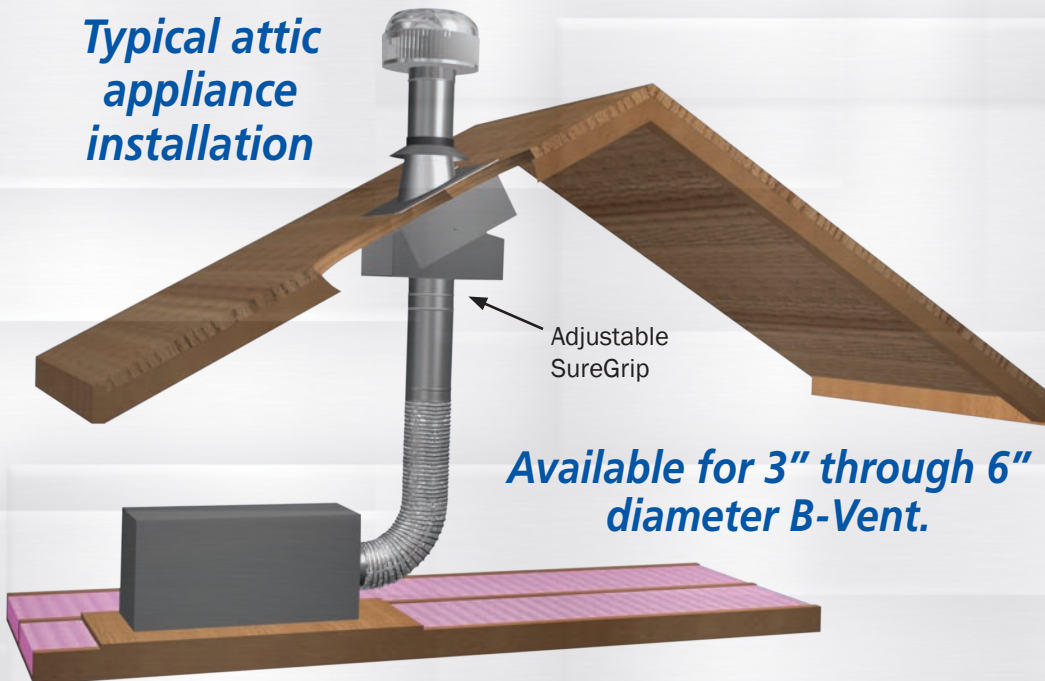
*Mount SureGrip support plate.*

## Adjustable SureGrip



*Push pipe through vent support.*

*Typical attic appliance installation*



*Available for 3" through 6" diameter B-Vent.*



*Continue adding pipe sections – supports up to 90 lbs.*

***Fast, sure, support that's easy, trouble-free and won't let the pipe slip!***

## FOR YOUR REFERENCE

### MODELS "M" & "MO", TYPE B, GAS VENT

METAL-FAB ROUND AND OVAL TYPE-B GAS VENT IS LISTED BY UNDERWRITERS LABORATORIES, INC. FOR USE WITH APPROVED GAS FURNACES, HEATERS, FIREPLACES AND BOILERS. METAL-FAB MEETS OR EXCEEDS ALL RECOGNIZED GAS VENTING CODES, STANDARDS OR REQUIREMENTS, WHETHER LOCAL, STATE, OR UNITED STATES. MAXIMUM TEMPERATURE RATING FOR B-VENT IS 530° F.

1" Minimum clearance to combustibles for 3" through 24" diameters.

2" Minimum clearance to combustibles for 26" through 30" diameters.

Round pipe and fittings available in 3" through 30" diameters.

Oval pipe and fittings available in 4", 5", and 6" diameters.



Listed 441

### MATERIAL SPECIFICATIONS

The outer wall is constructed of galvanized steel, .018" thick G-90 for sizes 3" to 14" diameter, and .024" thick G-90 for sizes 16" to 30" diameter.

The inner wall is constructed of aluminum alloy, .012" thick for sizes 3" to 8" diameter and .018" thick for sizes 10" to 30" diameter.

The vent includes an integral, annular insulating air space, ¼" thick for sizes 3" to 6" diameter and ½" thick for sizes 7" to 30" diameter.

### ADAPTABILITY

Metal-Fab round B-Vent has been evaluated and listed by Underwriters Laboratories, Inc., to mate with other specifically identified and UL listed round gas vent, in 3" through 6" diameters. Metal-Fab's approval covers connections at both the male (outlet) end, and the female (inlet) end to the following B-Vent products:

American Metal Products Co.	(Amerivent)
Continental Industries, Inc.	(AirJet)
ECCO Manufacturing	(Model E/R)
Hart & Cooley, Inc.	(Hart & Cooley B-Vent)
M&G Duravent, Inc.	(Type B Gas Vent)
Mitchell Metal Products, Inc.	(Mitch Vent)
Selkirk Corporation	(Energy Vent)

At the male (outlet) end of compatible gas vent, add an adapter or adjustable length (M6A, M12A, or M18A) - then add sections of Metal-Fab pipe. At the female (inlet) end of compatible vent simply insert the male end of Metal-Fab B-Vent into the compatible gas vent and secure per instructions.

### SURELOCK™ B-VENT LOCKING SYSTEM:

The design of the SureLock™ B-Vent Locking System is unique. The male end of the pipe features a square dimple, positioned in the exact location to match the tab that is located on the female end of the pipe. When the pipe is joined and twisted until it stops, the SureLock™ tab can be pushed into the square dimple, therefore creating a positive twist lock that cannot be twisted apart. So unique that a patent is pending.



Line up the pipe ends.



Push the ends of the pipe together.



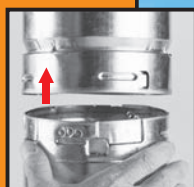
Twist to engage the twist lock.



Depress the SureLock™ tab to secure pipe sections.



To unlock, simply bend out the tab.




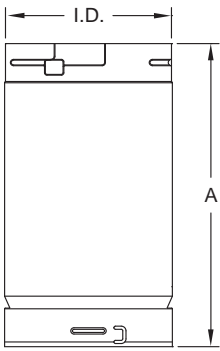
Untwist and pull pipe apart.



Note: Vent overlaps 1.5" when joined together. Therefore, assembled length is 1.5" less than listed length.

### PIPE LENGTHS – 3M through 14M

With positive twist lock.


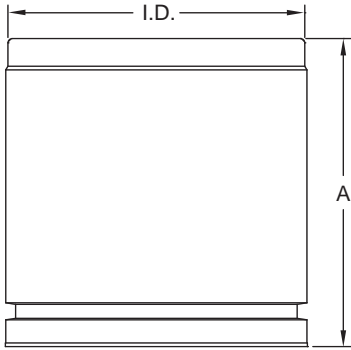
SureLock™ is standard on 3" - 6" diameters.

DIAMETER	6"	12"	18"	24"	36"	48"	60"
3" to 6"	X	X	X	X	X	X	X
7" to 10"		X	X	X	X	X	X
12" to 14"		X	X	X	X		

I.D. = 3" through 14" diameter.  
A = Length. See chart above for available options.

### PIPE LENGTHS – 16M through 30M

With quick connect lock using sheet metal screws.

DIAMETER	6"	12"	18"	24"	36"	48"	60"
16" to 30"		X	X	X	X		


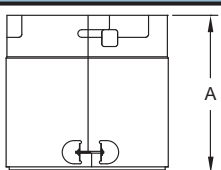
I.D. = 16" through 30" diameter.  
A = Length. See chart above for available options.

### ADJUSTABLE LENGTHS M12A - M18A




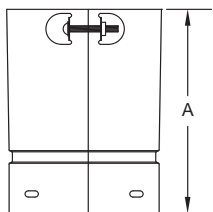

CAT. NO.	A	I.D.
M12A	Adjusts from 3" to 8"	3" through 30"
M18A	Adjusts from 3" to 14"	3" through 30"

### ADAPTER – M6A

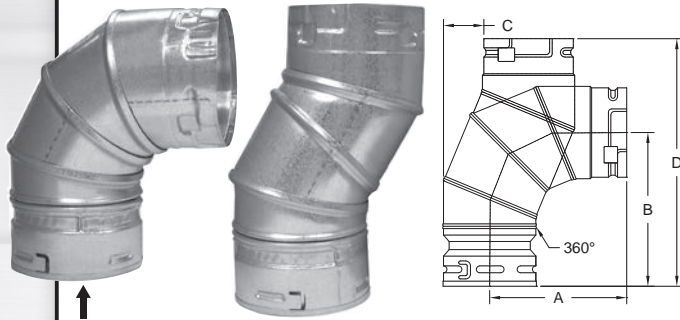
CAT. NO.	A	I.D.
M6A	6.00"	3" through 8"

### ADAPTER – M6AF

CAT. NO.	A	I.D.
M6AF	6.50"	3" through 6"

90° ADJUSTABLE ELBOW – M90 - 3” through 10”



SureLock™ is standard on 3" - 6" diameters.

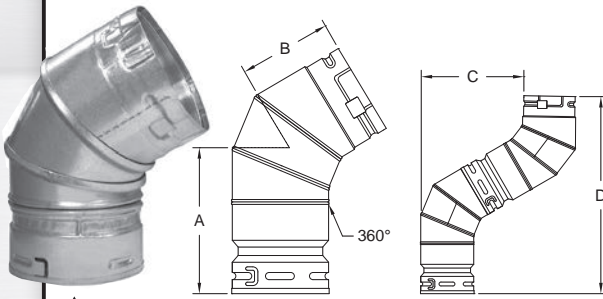
CAT. NO.	SIZE	A	B	C	D
3M90	3"	4.75"	6.25"	1.75"	9.50"
4M90	4"	5.25"	6.25"	1.75"	9.50"
5M90	5"	6.00"	7.38"	2.25"	11.00"
6M90	6"	6.00"	7.81"	2.50"	11.00"
7M90	7"	7.75"	8.75"	3.12"	13.75"
8M90	8"	8.50"	9.00"	3.38"	14.50"
10M90	8"	10.00"	13.00"	N/A	N/A

The five piece M90 short radius elbow is fully adjustable from 0° (straight) to 90°.

The 360° rotating collar allows for desired orientation of vent pipe.

Note: 10" elbows are not adjustable.

45°/60° ADJUSTABLE ELBOW – M45/60 - 3” through 6”  
45° ADJUSTABLE ELBOW – M45 - 7” and 8”



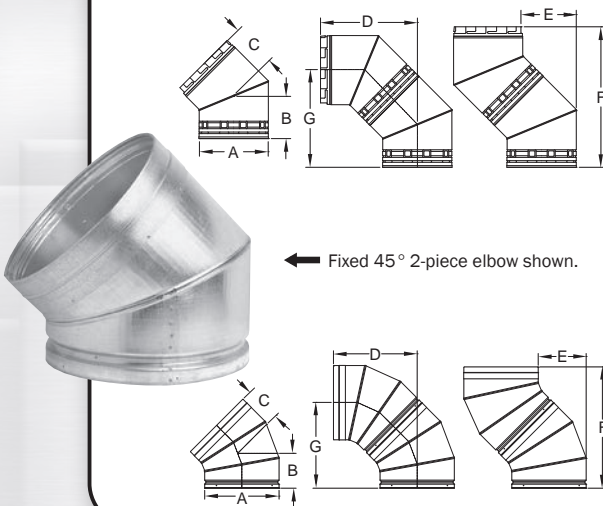
SureLock™ is standard on 3" - 6" diameters.

CAT. NO.	SIZE	A	B	@45°	@45°	@60°	@60°
				C	D	C	D
3M45/60	3"	4.53"	3.48"	4.60"	12.61"	5.75"	11.47"
4M45/60	4"	4.63"	3.53"	4.71"	12.86"	5.88"	11.69"
5M45/60	5"	5.86"	4.61"	6.34"	16.81"	7.90"	15.18"
6M45/60	6"	6.09"	4.39"	6.35"	16.83"	7.92"	15.21"
7M45/60	7"	6.38"	5.13"	7.00"	18.25"	8.75"	16.50"
8M45/60	8"	6.75"	5.00"	7.25"	18.75"	9.00"	17.00"

In sizes 3" through 8", the four piece M45/60 short radius elbow is fully adjustable from 0° (straight) to 60°.

The 360° rotating collar allows for desired orientation of vent pipe.

45° 2-PIECE ELBOW – M45 - 10”, 12”, 14”, 16”  
45° 3-PIECE ELBOW – M45 - 18” through 30”



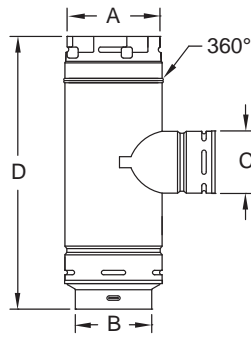
← Fixed 45° 2-piece elbow shown.

CAT. NO.	SIZE	A	B	C	D	E	F	G
10M45	10"	11.00"	7.50"	6.13"	14.75"	8.63"	22.25"	16.07"
12M45	12"	13.00"	7.63"	7.00"	16.25"	9.75"	23.88"	16.91"
14M45	14"	15.00"	8.25"	7.25"	17.25"	10.00"	25.38"	18.51"
16M45	16"	17.00"	7.00"	9.00"	19.43"	10.43"	26.43"	17.25"
18M45	18"	19.13"	10.79"	10.79"	24.99"	14.20"	35.78"	24.99"
20M45	20"	21.13"	10.79"	10.79"	24.99"	14.20"	35.78"	24.99"
22M45	22"	23.13"	10.79"	10.79"	24.99"	14.20"	35.78"	24.99"
24M45	24"	25.13"	10.79"	10.79"	24.99"	14.20"	35.78"	24.99"
26M45	26"	27.13"	11.95"	11.95"	27.78"	15.84"	39.72"	27.78"
28M45	28"	29.13"	11.95"	11.95"	27.78"	15.84"	39.72"	27.78"
30M45	30"	31.13"	11.95"	11.95"	27.78"	15.84"	39.72"	27.78"

Note: 10", 12" and 14" elbows are adjustable, and these same diameters have positive twist lock. Fixed angles in 16" through 30" diameter have quick connect lock using sheet metal screws.



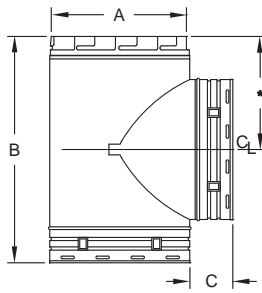
**SWIVEL TEE – MST - 3” through 6”**



SureLock™ is standard on male end on 3"- 6" diameters.

CAT. NO.	SIZE	A	B	C	D
3M3ST3	3"	3.43"	3.50"	3.50"	9.94"
4M4ST4	4"	4.43"	4.50"	4.50"	10.92
4M4ST3	4"	4.43"	4.50"	3.50"	9.94"
5M5ST5	5"	5.43"	5.50"	5.50"	11.53"
5M5ST4	5"	5.43"	5.50"	4.50"	10.92"
5M5ST3	5"	5.43"	5.50"	3.50"	9.94"
5M4ST4	5"	5.43"	4.50"	4.50"	12.17"
5M4ST3	5"	5.43"	4.50"	3.50"	11.19"
6M6ST6	6"	6.44"	6.51"	6.51"	12.41"
6M6ST5	6"	6.44"	6.51"	5.50"	11.53"
6M6ST4	6"	6.44"	6.51"	4.50"	10.92"
6M6ST3	6"	6.44"	6.51"	3.50"	9.94"
6M5ST4	6"	6.44"	5.50"	4.50"	12.17"
6M5ST3	6"	6.44"	5.50"	3.50"	11.19"

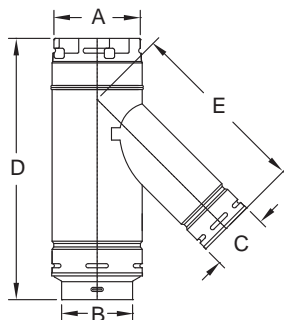
**STANDARD TEE – MT - 7” through 30”**



\*Tap centered on installed body length

CAT. NO.	SIZE	A	B	C
7MT	7"	8.00"	13.75"	3.00"
8MT	8"	9.00"	14.75"	3.00"
10MT	10"	11.00"	19.00"	4.00"
12MT	12"	13.00"	21.00"	4.00"
14MT	14"	15.00"	23.00"	4.00"
16MT	16"	17.13"	28.50"	4.00"
18MT	18"	19.13"	30.50"	4.00"
20MT	20"	21.13"	32.50"	4.00"
22MT	22"	23.13"	34.50"	4.00"
24MT	24"	25.13"	36.50"	4.00"
26MT	26"	27.13"	38.50"	4.00"
28MT	28"	29.13"	40.50"	4.00"
30MT	30"	31.13"	42.50"	4.00"

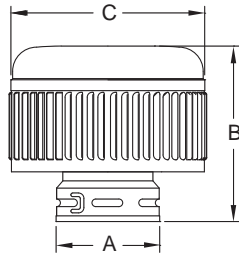
**SWIVEL WYE – MSY - 4” through 6”**



SureLock™ is standard on male end on 3"- 6" diameters.

CAT. NO.	SIZE	A	B	C	D	E
4M4SY4	4"	4.43"	4.50"	4.50"	14.50"	10.09"
4M4SY3	4"	4.43"	4.50"	3.50"	14.50"	10.58"
5M5SY4	5"	5.43"	5.50"	4.50"	14.50"	10.79"
5M5SY3	5"	5.43"	5.50"	3.50"	14.50"	11.29"
5M4SY4	5"	5.43"	4.50"	4.50"	15.75"	10.79"
5M4SY3	5"	5.43"	4.50"	3.50"	15.75"	11.29"
6M6SY5	6"	6.44"	6.51"	5.50"	15.75"	11.00"
6M6SY4	6"	6.44"	6.51"	4.50"	15.75"	11.50"
6M6SY3	6"	6.44"	6.51"	3.50"	15.75"	12.00"
6M5SY4	6"	6.44"	5.50"	4.50"	17.00"	12.00"
6M5SY3	6"	6.44"	5.50"	3.50"	17.00"	12.00"
6M4SY3	6"	6.44"	4.50"	3.50"	15.75"	12.00"

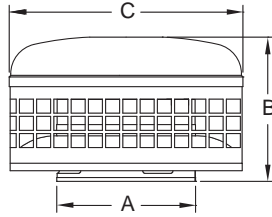
**VENT CAP – MCHP - 3” through 6”**



CAT. NO.	SIZE	A	B	C
3MCHP	3"	3.50"	7.00"	5.50"
4MCHP	4"	4.50"	8.00"	6.75"
5MCHP	5"	5.50"	8.25"	8.25"
6MCHP	6"	6.50"	8.31"	10.00"

SureLock™ is standard on 3"-6" diameters.

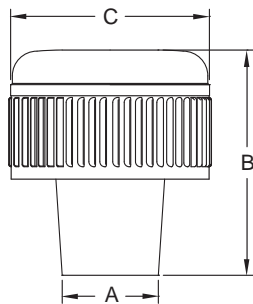
**VENT CAP – MC - 7” through 12”**



CAT. NO.	SIZE	A	B	C
7MC	7"	8.00"	8.00"	13.50"
8MC	8"	9.00"	9.25"	15.00"
10MC	10"	11.00"	11.00"	19.00"
12MC	12"	13.00"	11.00"	19.00"

With positive twist lock.

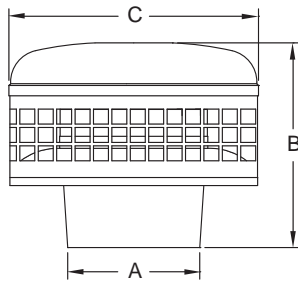
**UNIVERSAL CAP – MCUHP - 3” through 6”**



CAT. NO.	SIZE	A	B	C
3MCUHP	3"	2.88"	8.38"	5.50"
4MCUHP	4"	3.88"	11.00"	6.75"
5MCUHP	5"	4.88"	11.25"	8.25"
6MCUHP	6"	5.63"	12.00"	10.00"

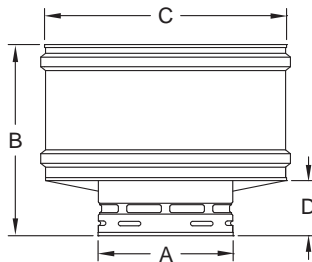


**UNIVERSAL CAP – MCU - 7" and 8"**



CAT. NO.	SIZE	A	B	C
7MCU	7"	6.75"	9.75"	13.50"
8MCU	8"	7.75"	11.50"	15.00"

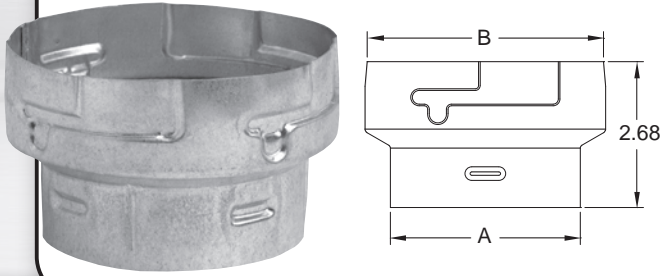
**VENT CAP – MC - 14" through 30"**



CAT. NO.	SIZE	A	B	C	D
14MC	14"	15.00"	23.25"	28.62"	5.62"
16MC	16"	17.00"	22.50"	30.62"	7.00"
18MC	18"	19.00"	24.50"	32.87"	7.00"
20MC	20"	21.00"	29.00"	39.00"	5.75"
22MC	22"	23.00"	29.50"	41.50"	8.00"
24MC	24"	25.00"	31.50"	43.50"	8.00"
26MC	26"	27.00"	35.50"	50.25"	6.00"
28MC	28"	29.00"	36.50"	52.25"	7.50"
30MC	30"	31.00"	37.00"	54.25"	7.50"

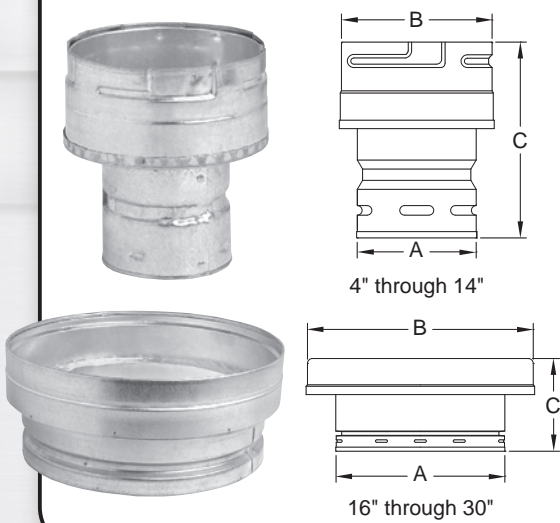
Note: 14" has positive twist lock.  
16" - 30" has quick connect lock.

NO-HEIGHT INCREASER - MIN



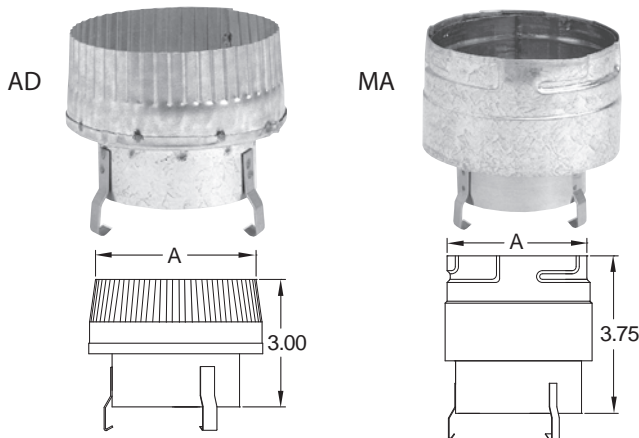
CAT. NO.	A	B
3MIN4	3.00"	4.00"
4MIN5	4.00"	5.00"
5MIN6	5.00"	6.00"

INCREASERS - MIX



CAT. NO.	4"-14"			CAT. NO.	16"-30"		
	A	B	C		A	B	C
3Mlx5	3.00"	5.00"	6.50"	?Mlx16	Specified	16.00"	8.50"
4Mlx6	4.00"	6.00"	6.50"	?Mlx18	Specified	18.00"	8.50"
?Mlx7	Specified	7.00"	8.50"	?Mlx20	Specified	20.00"	8.50"
?Mlx8	Specified	8.00"	8.50"	?Mlx22	Specified	22.00"	8.50"
?Mlx10	Specified	10.00"	8.50"	?Mlx24	Specified	24.00"	8.50"
?Mlx12	Specified	12.00"	8.50"	?Mlx26	Specified	26.00"	8.50"
?Mlx14	Specified	14.00"	8.50"	?Mlx28	Specified	28.00"	8.50"
				?Mlx30	Specified	30.00"	8.50"

MOTOR HOUSING ADAPTERS



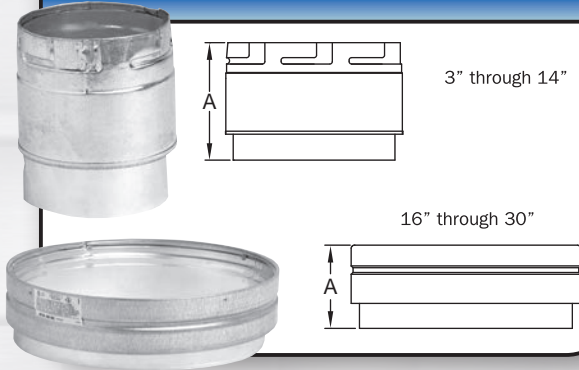
CAT. NO.	A
3AD4	3.81"
3AD5	4.81"
3MA3	3.43"
3MA4	4.43"
3MA5	5.43"
4MA4	4.43"

AD With Single Wall Outlet  
MA With Double Wall Outlet

For connection to plastic motor housing.



**DRAFTHOOD CONNECTOR – MDC**



CAT. NO.	SIZE	A	CAT. NO.	SIZE	A
3MDC	3"	4.88"	16MDC	16"	5.00"
4MDC	4"	4.88"	18MDC	18"	5.00"
5MDC	5"	4.88"	20MDC	20"	5.00"
6MDC	6"	4.88"	22MDC	22"	5.00"
7MDC	7"	4.88"	24MDC	24"	5.00"
8MDC	8"	4.88"	26MDC	26"	5.00"
10MDC	10"	4.88"	28MDC	28"	5.00"
12MDC	12"	4.88"	30MDC	30"	5.00"
14MDC	14"	4.88"			

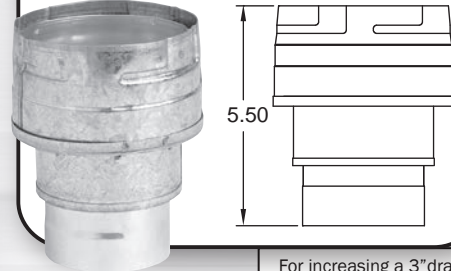
**EASYOUT™ DRAFTHOOD CONNECTOR – 4MDC-CB**



Connects to a furnace's internal vent elbow and exits the cabinet, where B-Vent can then be connected.

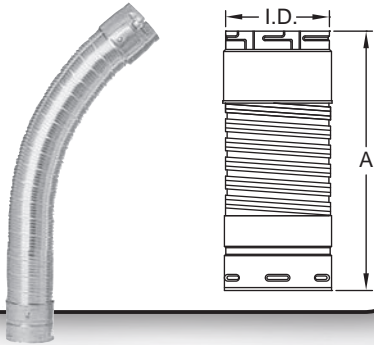
Designed for specific Carrier, Bryant and Payne gas furnaces, see spec sheet for models.

**DRAFTHOOD INCREASER – 3MDC4**



For increasing a 3" drafthood outlet to a 4" B-Vent outlet.

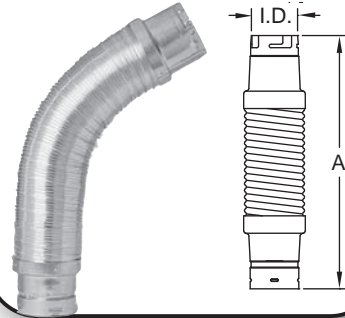
**SINGLE WALL FLEX CONNECTORS MSWF - 3" through 5"**



CAT. NO.	SIZE	A
MSWF03	3"	1', 2', 3', 4', 5'
MSWF04	4"	1', 2', 3', 4', 5'
MSWF05	5"	1', 2', 3', 4', 5'
MSWF06	6"	1', 2', 3', 4', 5'

For easy connection of appliance to common B-Vent.

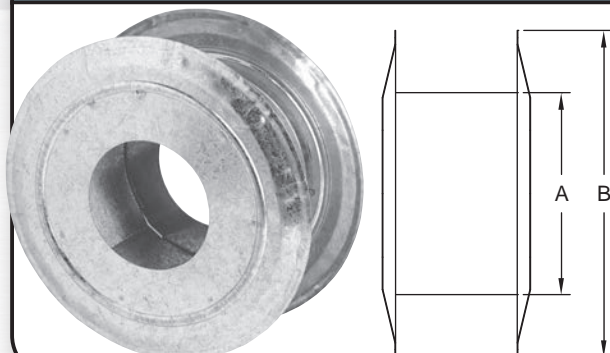
**B-FLEX FLEXIBLE B-VENT MDWF - 3" through 6"**



CAT. NO.	SIZE	A
MDWF03	3"	2', 3', 4', 5'
MDWF04	4"	2', 3', 4', 5'
MDWF05	5"	2', 3', 4', 5'
MDWF06	6"	2', 3', 4', 5'

Use as a connection of appliance to common B-Vent or as a segment of B-Vent except where it penetrates the structure: walls, floors, ceilings, roof.

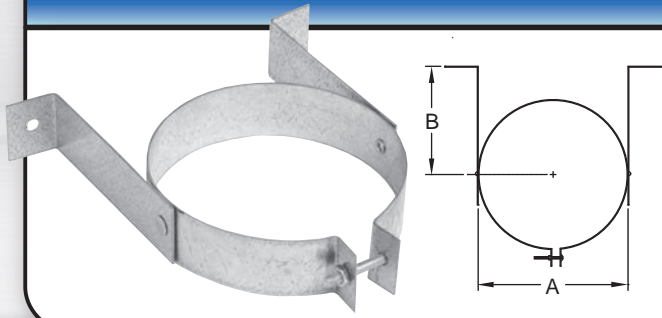
**PARTITION THIMBLE – MPT - 3" through 8"**



CAT. NO.	SIZE	A	B
3MPT	3"	5.63"	9.00"
4MPT	4"	6.69"	9.00"
5MPT	5"	7.69"	11.00"
6MPT	6"	8.69"	11.00"
7MPT	7"	10.19"	13.25"
8MPT	8"	11.19"	14.00"

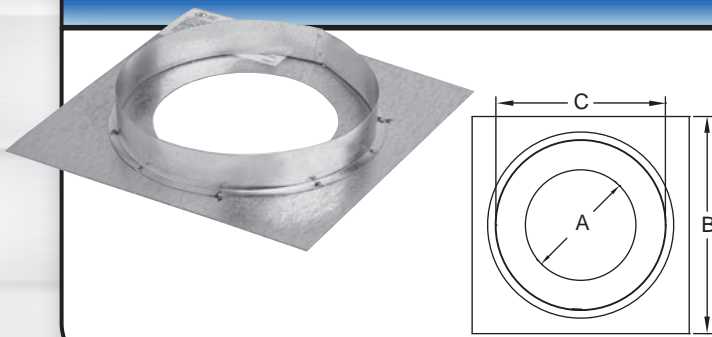
Adjust from 4.00" to 6.50" for variable wall thickness.

HANGER/WALL BAND - MH



CAT. NO.	SIZE	A	B
3MH	3"	3.63"	3.22"
4MH	4"	4.63"	3.72"
5MH	5"	5.63"	4.22"
6MH	6"	6.63"	4.72"
7MWB	7"	8.06"	5.00"
8MWB	8"	9.06"	5.50"

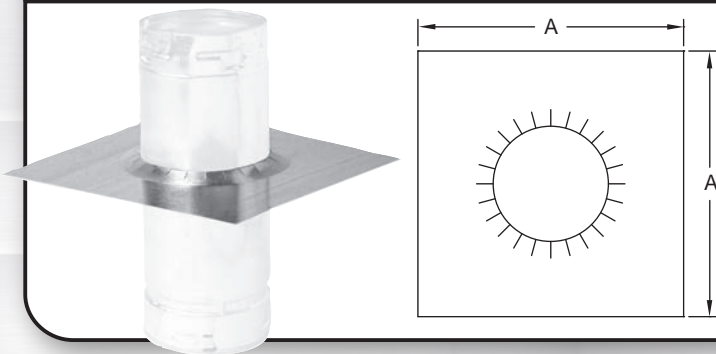
FIRESTOP - MFS



CAT. NO.	SIZE	A	B	C
3MFS	3"	3.56"	8.50"	5.50"
4MFS	4"	4.56"	8.50"	6.50"
5MFS	5"	5.56"	10.50"	7.50"
6MFS	6"	6.56"	10.50"	8.50"
7MFS	7"	8.06"	13.00"	10.00"
8MFS	8"	9.06"	13.00"	11.00"
10MFS	10"	11.06"	15.00"	13.00"
12MFS	12"	13.06"	17.00"	15.00"

Spacer ring attached to plate ensures 1" clearance to combustibles.

SUREGRIP VENT SUPPORT PLATE - MVSP

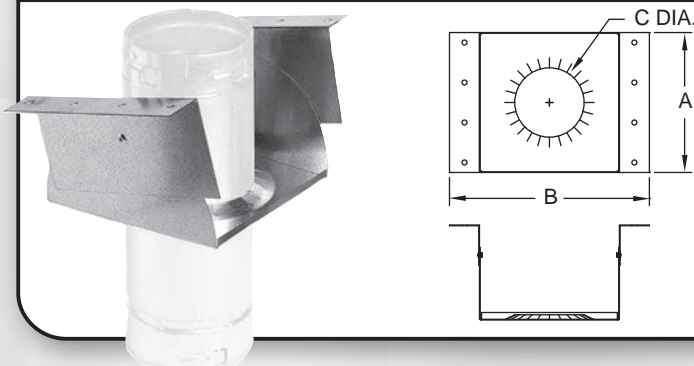


CAT. NO.	SIZE	A
2MVSP	2"	7.00"
3MVSP	3"	8.00"
4MVSP	4"	10.00"
5MVSP	5"	11.00"
6MVSP	6"	12.00"
7MVSP	7"	13.00"
8MVSP	8"	14.00"

The fastest, easiest way to support B-Vent where it penetrates floors and ceilings

Note: Pipe not included

SUREGRIP VENT SUPPORT PLATE ADJUSTABLE - MVSPA

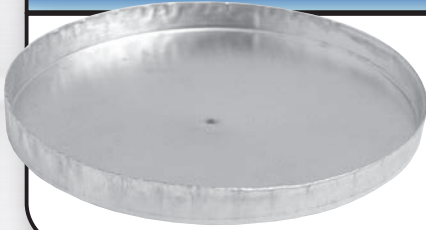


CAT. NO.	SIZE	A	B	C
3MVSPA	3"	6.00"	9.00"	3.48"
4MVSPA	4"	7.00"	10.00"	4.48"
5MVSPA	5"	8.00"	11.00"	5.45"
6MVSPA	6"	9.00"	12.00"	6.45"

Note: Pipe not included.

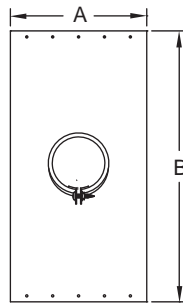
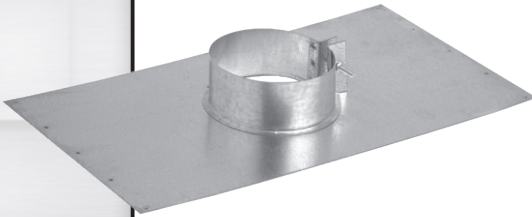


TEE CAP - MTC



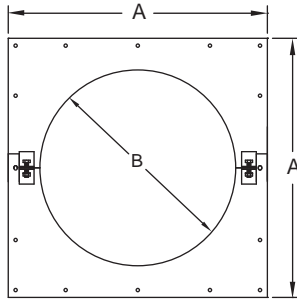
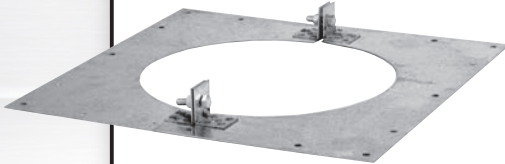
Sizes 3" through 30"  
Use to cap flue when tee has no bottom (inlet) entry.

SUPPORT PLATE - MSP



CAT. NO.	SIZE	A	B	CAT. NO.	SIZE	A	B
3MSP	3"	8.50"	17.00"	16MSP	16"	21.50"	21.50"
4MSP	4"	9.50"	17.00"	18MSP	18"	23.50"	24.00"
5MSP	5"	10.50"	17.00"	20MSP	20"	25.50"	30.00"
6MSP	6"	12.00"	17.00"	22MSP	22"	27.50"	30.00"
7MSP	7"	13.50"	17.00"	24MSP	24"	29.50"	30.00"
8MSP	8"	13.50"	17.00"	26MSP	26"	31.50"	36.00"
10MSP	10"	15.50"	17.00"	28MSP	28"	33.50"	36.00"
12MSP	12"	17.50"	21.50"	30MSP	30"	35.00"	36.00"
14MSP	14"	19.50"	21.50"				

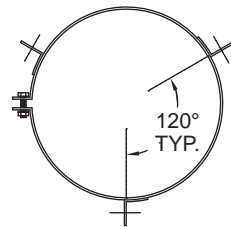
HEAVY SUPPORT - MHS - 10" through 30"



CAT. NO.	SIZE	A	B
10MHS	10"	16.00"	10.63"
12MHS	12"	18.00"	12.63"
14MHS	14"	20.00"	14.63"
16MHS	16"	22.00"	16.63"
18MHS	18"	24.00"	18.63"
20MHS	20"	26.00"	20.63"
22MHS	22"	28.00"	22.63"
24MHS	24"	30.00"	24.63"
26MHS	26"	32.00"	26.63"
28MHS	28"	34.00"	28.63"
30MHS	30"	36.00"	30.63"

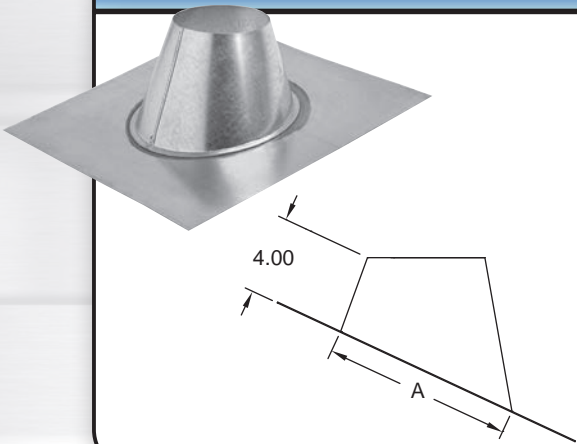
Designed to support large size pipe sections.  
Also serves as a firestop.

GUY RING - MGR



Sizes 10" through 30"  
For additional support above the roof.

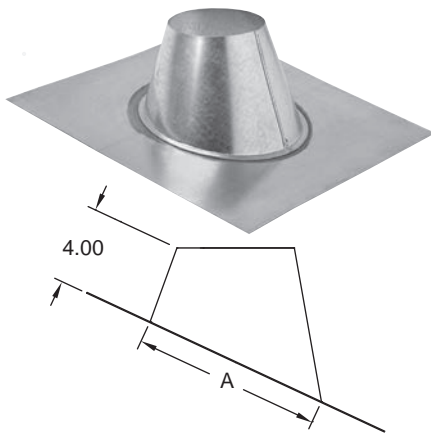
**STANDARD FLASHING - MF**



CAT. NO.	SIZE	A	PLATE	CAT. NO.	SIZE	A	PLATE
3MF	3"	7.50"	14.63" x 14.63"	16MF	16"	21.00"	29.00" X 29.00"
4MF	4"	7.50"	14.63" x 14.63"	18MF	18"	22.75"	32.00" X 32.00"
5MF	5"	8.25"	14.63" x 14.63"	20MF	20"	27.00"	33.00" X 33.00"
6MF	6"	9.50"	17.50" X 17.50"	22MF	22"	26.75"	35.00" X 35.00"
7MF	7"	11.00"	19.00" X 19.00"	24MF	24"	29.25"	38.00" X 38.00"
8MF	8"	12.00"	20.00" X 20.00"	26MF	26"	31.75"	40.00" X 40.00"
10MF	10"	14.63"	22.38" X 22.38"	28MF	28"	32.75"	42.00" X 42.00"
12MF	12"	16.63"	24.00" X 24.00"	30MF	30"	36.25"	45.00" X 45.00"
14MF	14"	18.75"	26.75" X 26.75"				

Fits roof pitch 2/12 to 5/12.

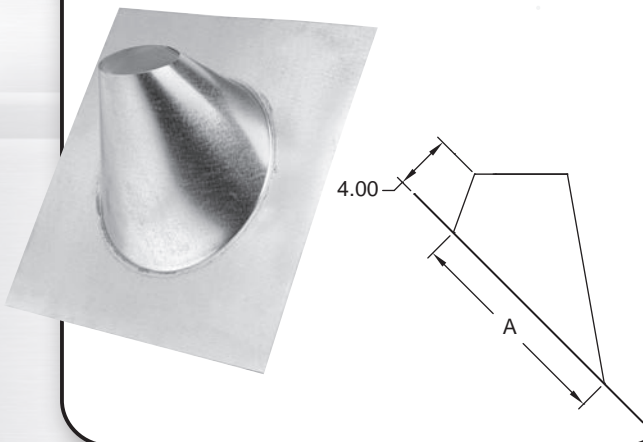
**DEAD-SOFT FLASHING - MDSF**



CAT. NO.	SIZE	A	PLATE
3MDSF	3"	7.50"	24.00" x 24.00"
4MDSF	4"	7.50"	24.00" x 24.00"
5MDSF	5"	8.25"	24.00" x 24.00"
6MDSF	6"	9.50"	24.00" X 24.00"

Fits roof pitch 2/12 to 5/12.

**12/12 FLASHING - MF - 12**



CAT. NO.	SIZE	A	PLATE
3MF-12	3"	12.00"	20.00" x 20.00"
4MF-12	4"	12.00"	20.00" x 20.00"
5MF-12	5"	12.00"	20.00" x 20.00"
6MF-12	6"	12.50"	21.00" x 28.00"
7MF-12	7"	13.00" X 18.00" Oval	21.00" x 28.00"
8MF-12	8"	13.00" X 18.00" Oval	21.00" x 28.00"

Fits roof pitch 6/12 to 12/12.



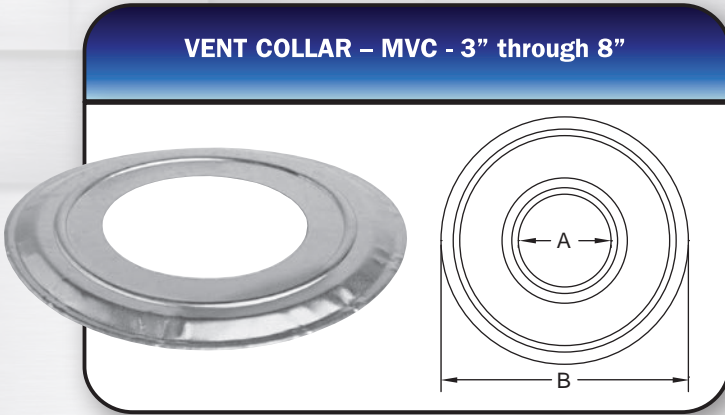
**TALL CONE FLAT FLASHING - MFT**



CAT. NO.	SIZE	A	PLATE	CAT. NO.	SIZE	A	PLATE
3MFT	3"	7.50"	14.63" x 14.63"	16MFT	16"	21.31"	29.00" X 29.00"
4MFT	4"	7.50"	14.63" x 14.63"	18MFT	18"	22.56"	32.00" X 32.00"
5MFT	5"	8.25"	14.63" x 14.63"	20MFT	20"	24.75"	33.00" X 33.00"
6MFT	6"	9.50"	17.50" X 17.50"	22MFT	22"	26.75"	35.00" X 35.00"
7MFT	7"	11.00"	19.00" X 19.00"	24MFT	24"	28.75"	38.00" X 38.00"
8MFT	8"	12.00"	20.00" X 20.00"	26MFT	26"	30.75"	40.00" X 40.00"
10MFT	10"	14.63"	22.38" X 22.38"	28MFT	28"	33.88"	42.00" X 42.00"
12MFT	12"	16.63"	24.00" X 24.00"	30MFT	30"	34.75"	45.00" X 45.00"
14MFT	14"	19.00"	26.75" X 26.75"				

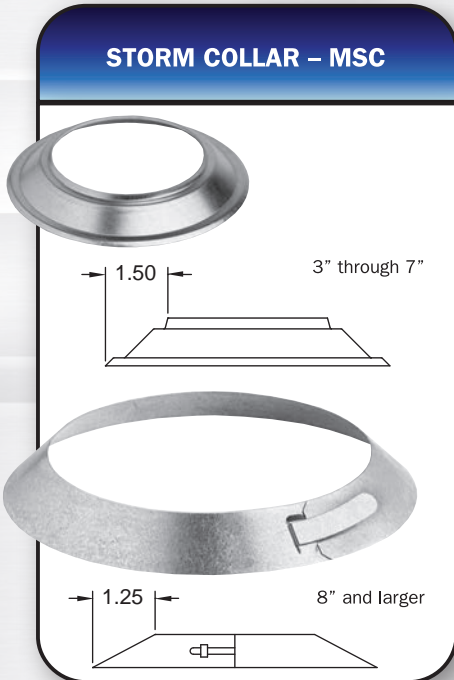
Flat roof flashing

**VENT COLLAR - MVC - 3" through 8"**



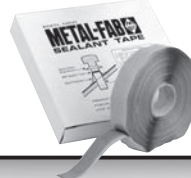
CAT. NO.	SIZE	A	B
3MVC	3"	3.56"	8.25"
4MVC	4"	4.56"	8.75"
5MVC	5"	5.56"	10.13"
6MVC	6"	6.56"	10.13"
7MVC	7"	8.00"	13.88"
8MVC	8"	9.00"	13.88"

**STORM COLLAR - MSC**



CAT. NO.	SIZE	CAT. NO.	SIZE
3MSC	3"	16MSC	16"
4MSC	4"	18MSC	18"
5MSC	5"	20MSC	20"
6MSC	6"	22MSC	22"
7MSC	7"	24MSC	24"
8MSC	8"	26MSC	26"
10MSC	10"	28MSC	28"
12MSC	12"	30MSC	30"
14MSC	14"		

**STORM COLLAR SEALANT TAPE - MST**

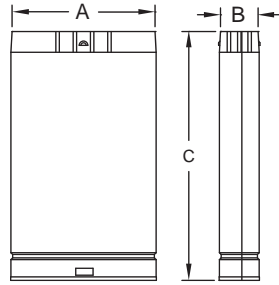


WATERPROOF - Will not harden or oxidize from weather.

NON TOXIC

Dimensions are 1/16" in thickness by 5/8" width. 25 feet to the roll.

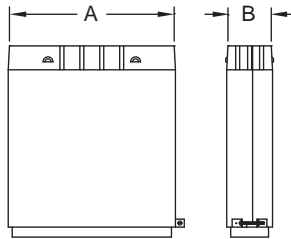
**OVAL PIPE - MO - 4" through 6"**



CAT. NO.	SIZE	A	B	C LENGTHS
4MO	4"	7.25"	2.50"	6", 12", 18", 24", 36", 48", 60"
5MO	5"	10.50"	2.88"	6", 12", 18", 24", 36", 48", 60"
6MO	6"	12.00"	3.25"	6", 12", 18", 24", 36", 48", 60"

4" & 5" oval fit 2" x 4" or 2" x 6" stud walls.  
6" oval fits 2" x 6" stud wall.

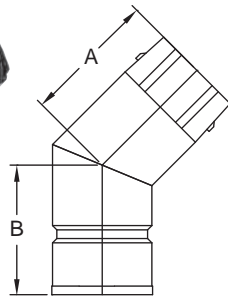
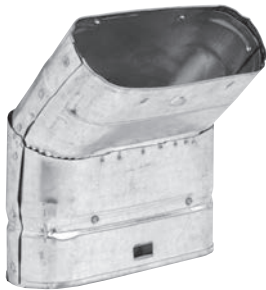
**OVAL ADJUSTABLE LENGTH - M012A**



CAT. NO.	SIZE	LISTED LENGTH
4M012A	4"	12.00"
5M012A	5"	12.00"
6M012A	6"	12.00"

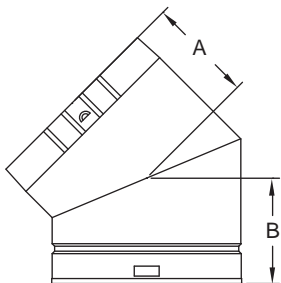
M012A adjusts from 3" to 9".

**45° STANDARD FIXED ANGLE - M045S**



CAT. NO.	SIZE	A	B	OFFSET
4M045S	4"	2.25"	3.75"	4.50"
5M045S	5"	2.25"	3.75"	4.50"
6M045S	6"	2.25"	3.75"	4.50"

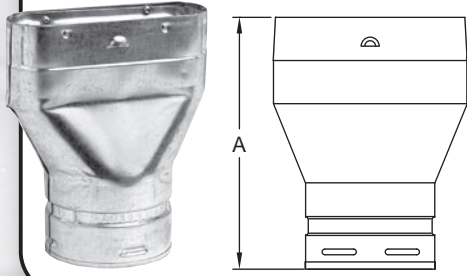
**45° FLAT FIXED ANGLE - M045F**



CAT. NO.	SIZE	A	B	OFFSET
4M045F	4"	3.00"	4.75"	5.50"
5M045F	5"	3.38"	4.88"	3.50"
6M045F	6"	4.25"	5.50"	3.00"

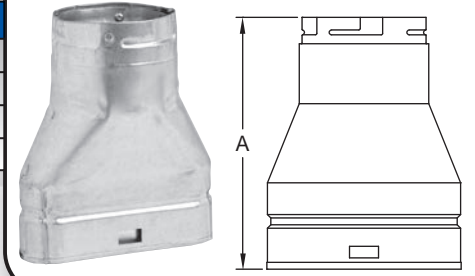


**ADAPTER: ROUND TO OVAL - MRO**

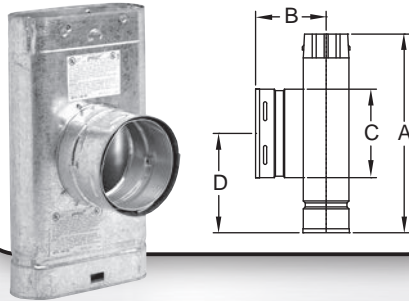


CAT. NO.	OVAL SIZE	ROUND SIZE	A	CAT. NO.
4MRO	4"	4"	8.75"	4MOR
5MRO	5"	5"	10.50"	5MOR
6MRO	6"	6"	11.50"	6MOR
6MRO5	6"	5"	11.55"	6MOR5

**ADAPTER: OVAL TO ROUND - MOR**

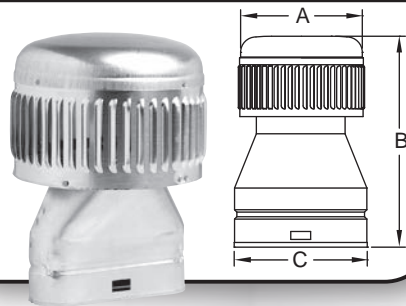


**OVAL TEE - MOT**



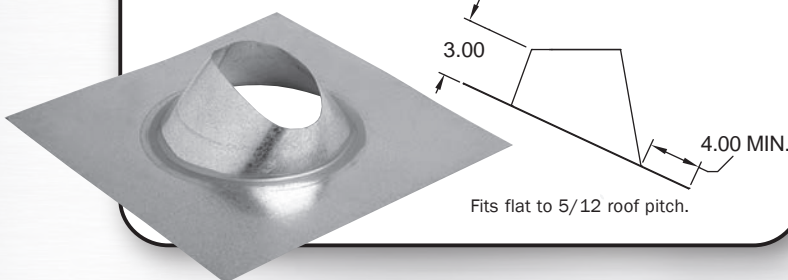
CAT. NO.	A	B	C	D
4MOT	11.00"	4.50"	4.00"	6.25"
4MOT3	11.00"	4.50"	3.00"	6.25"
5MOT	11.00"	4.75"	5.00"	6.25"
6MOT	11.00"	5.00"	6.00"	6.25"

**OVAL VENT CAP - MOC**



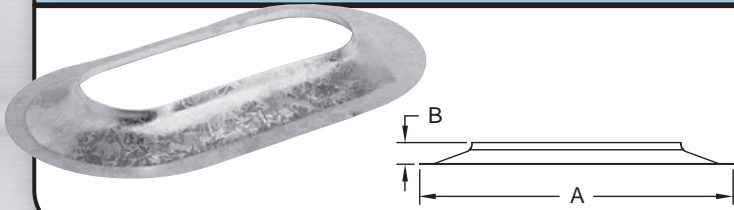
CAT. NO.	SIZE	A	B	C
4MOC	4"	8.75"	11.56"	7.50"
5MOC	5"	8.25"	14.63"	10.50"
6MOC	6"	10.00"	16.00"	12.00"

**OVAL ADJUSTABLE ROOF FLASHING - MOF**



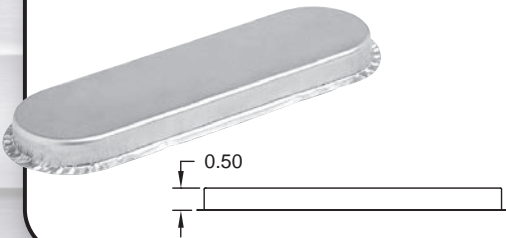
CAT. NO.	SIZE
4MOF	4"
5MOF	5"
6MOF	6"

**OVAL TEE OVAL STORM COLLAR – MOSC**



CAT. NO.	SIZE	A	B
4MOSC	4"	10.88	0.75
5MOSC	5"	13.50	1.50
6MOSC	6"	15.13	1.50

**OVAL TEE CAP – MOTC**



**CAT. NO.**

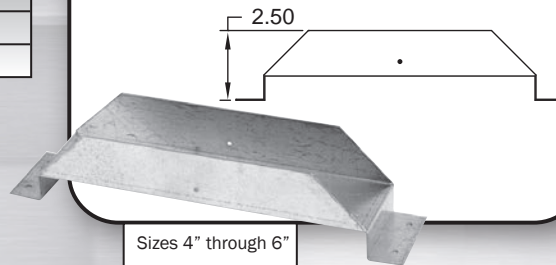
4MOTC

5MOTC

6MOTC

Sizes 4" through 6" Use to cap flue when tee has no bottom (inlet) entry.

**OVAL TEE SUPPORT – MOTS**



**CAT. NO.**

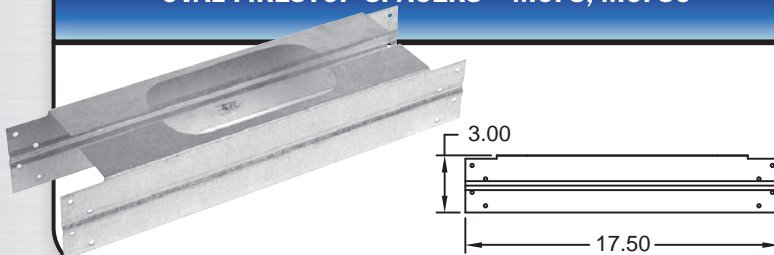
4MOTS

5MOTS

6MOTS

Sizes 4" through 6"

**OVAL FIRESTOP SPACERS – MOFS, MOFS6**



**CAT. NO.**

4MOFS

5MOFS

6MOFS

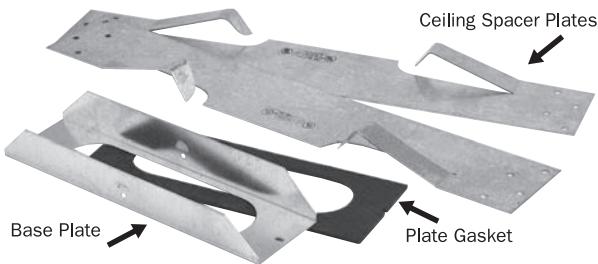
**CAT. NO.**

4MOFS6

5MOFS6

Sizes 4" through 6"  
Fits space between studs 16" center.  
Note: Model MOFS6 is for 2" x 6" stud wall.

**BW INSTALLATION KIT – MOK – 4" ONLY**



**CAT. NO.**

4MOK

Kit Includes:  
4CPS Ceiling Spacer Plates (2)  
4BP Base Plate (1)  
Gasket (1)

For venting recessed wall heaters. The installation kit adapts 4" MO pipe for use with wall furnaces.



**Faster. Safer. Better.**