



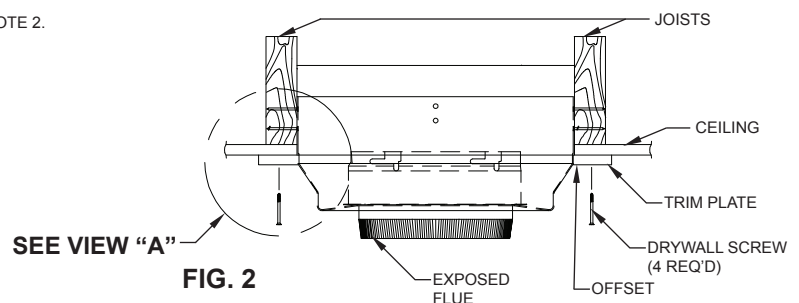
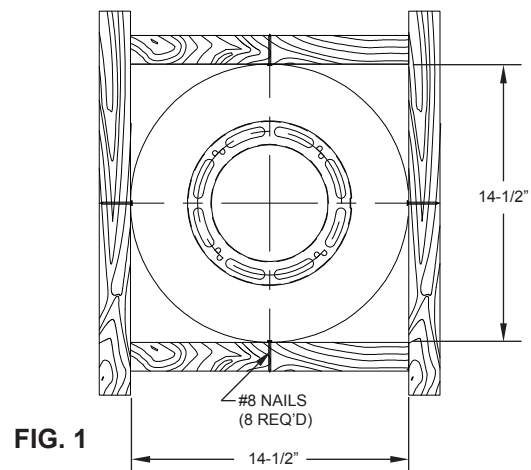
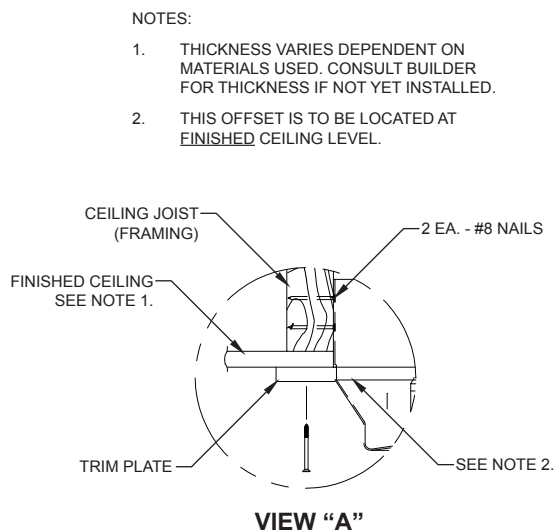
INSTALLATION INSTRUCTIONS 6TGDLXS AND 8TGDLXS CEILING SUPPORTS

These products are designed to allow you to transition from single-wall or double-wall stove connector pipe to a Metal-Fab 2100°F Chimney System, Model TG. The installation is the same for either six-inch or eight-inch connector flue.

1. Determine the location of the connector flue center line on the ceiling.
2. Using framing lumber equal to ceiling joist size, frame ceiling opening 14-1/2 inches square.

NOTE: If possible, it is recommended that the chimney be located in a manner that avoids the need to cut into the ceiling joist.

3. Insert the TGDLXS into the opening and attach to the framing. Use eight #8 x 2" long nails, two to each framing side.



NOTE: The offset in the bowl is designed to come to the level of the finished ceiling. The trim will meet this offset. (See **FIG. 1** and **FIG. 2**.)

4. When the finished ceiling is in place, secure the trim plate to the ceiling. Four drywall screws are provided for the trim.
5. The stove connector pipe can be attached and secured to the exposed flue of the TGDLXS. Extend the connector pipe upward as far as possible before securing. Penetration of the exposed flue with screws at this location is acceptable.
6. To complete the installation of the 2100°F Model TG Chimney, refer to Metal-Fab Inc. Temp Guard Installation and Maintenance Instructions.